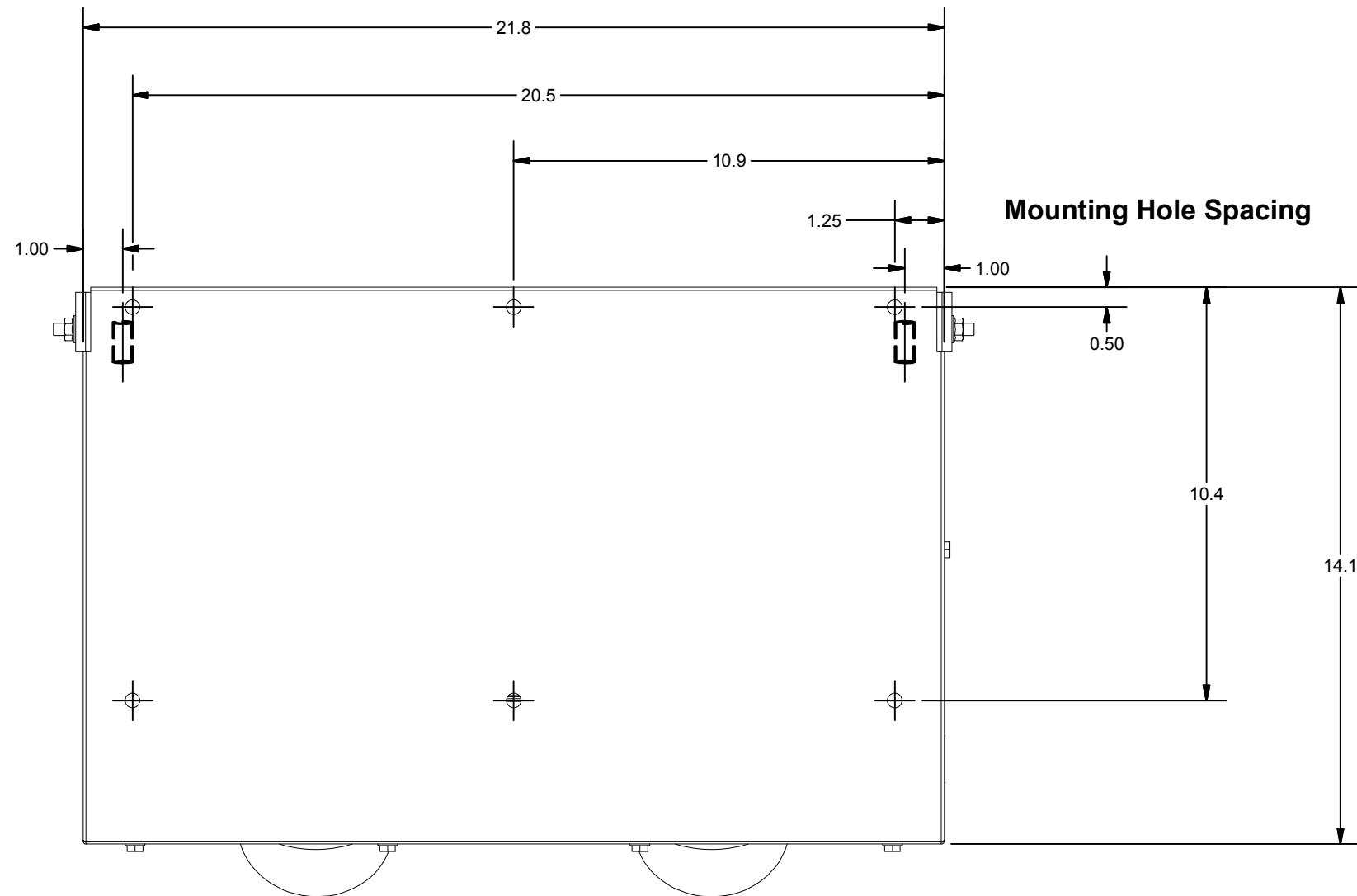
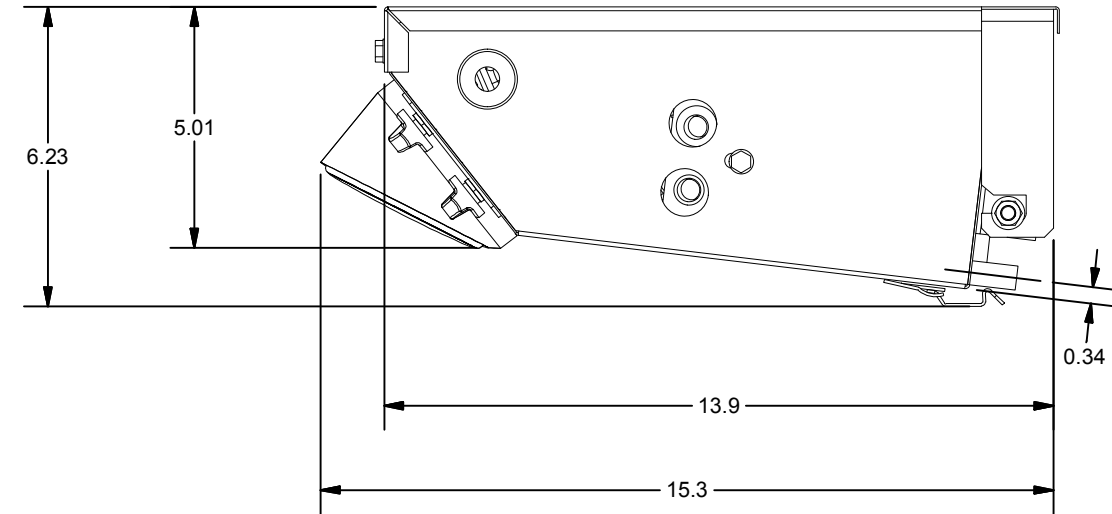
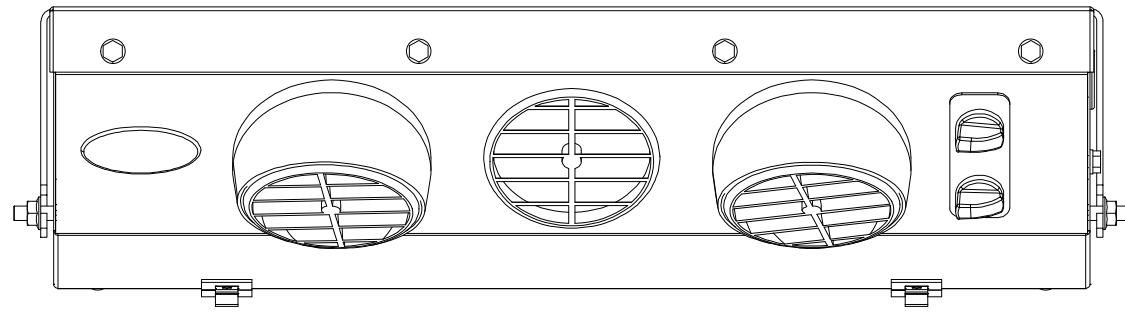



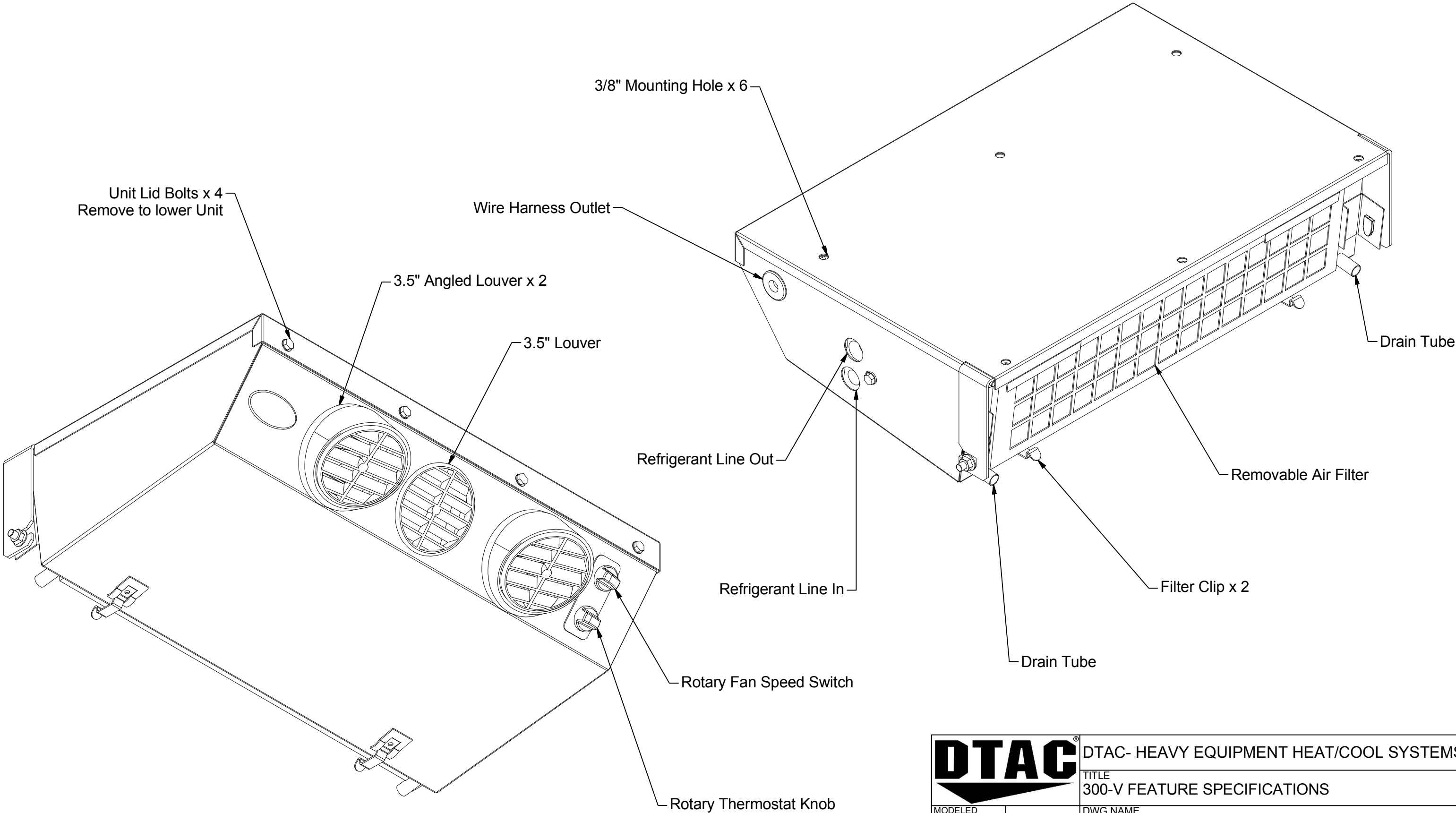
# 300-V FOOTPRINT AND MOUNTING INFORMATION



Mounting Specifications	
Quantity	Description
6	3/8" DIA HOLE- NO THREADS
6	5/16-18 x 1.5NCLC*HEX CAP TAP
6	WASHER, 1/4 FLAT
6	5/16 WHIZ NUT

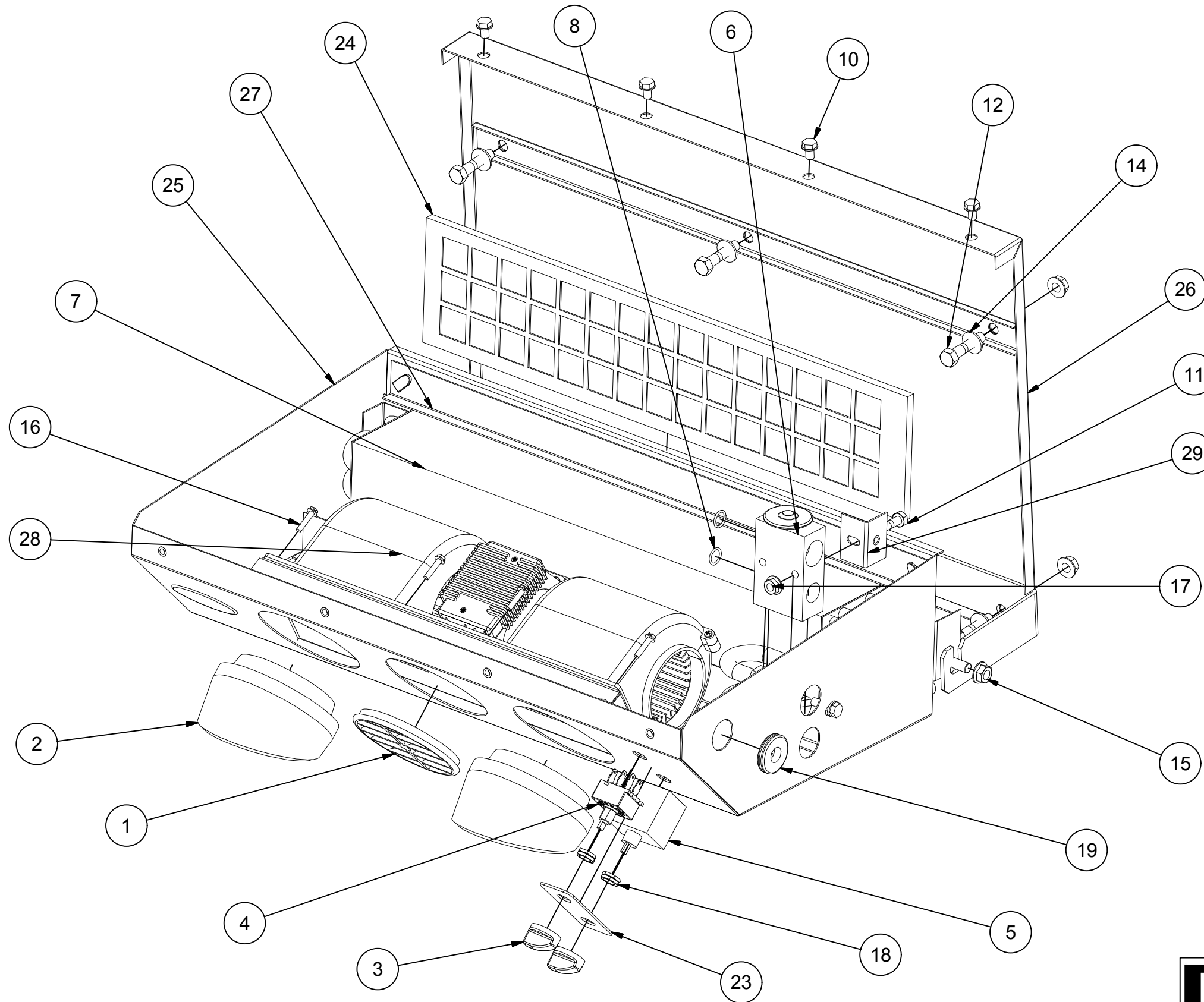
		DTAC- HEAVY EQUIPMENT HEAT/COOL SYSTEMS	
		TITLE 300-V FOOTPRINT AND MOUNTING INFORMATION	
MODELED JSHAW		DWG NAME 300-V Drawings.idw	
DRAWN jhamaker	8/4/2011	SIZE B	NOTE: ALL UNITS IN INCHES

# 300-V FEATURE SPECIFICATIONS



<b>DTAC</b> <sup>®</sup>		DTAC- HEAVY EQUIPMENT HEAT/COOL SYSTEMS	
		TITLE 300-V FEATURE SPECIFICATIONS	
MODELED	JSHAW	DWG NAME	300-V Drawings.idw
DRAWN	8/4/2011	SIZE	B
		NOTE: ALL UNITS IN INCHES	
			SHEET 2 OF 4

# 300-V PARTS BREAKDOWN AND UNIT SPECIFICATIONS

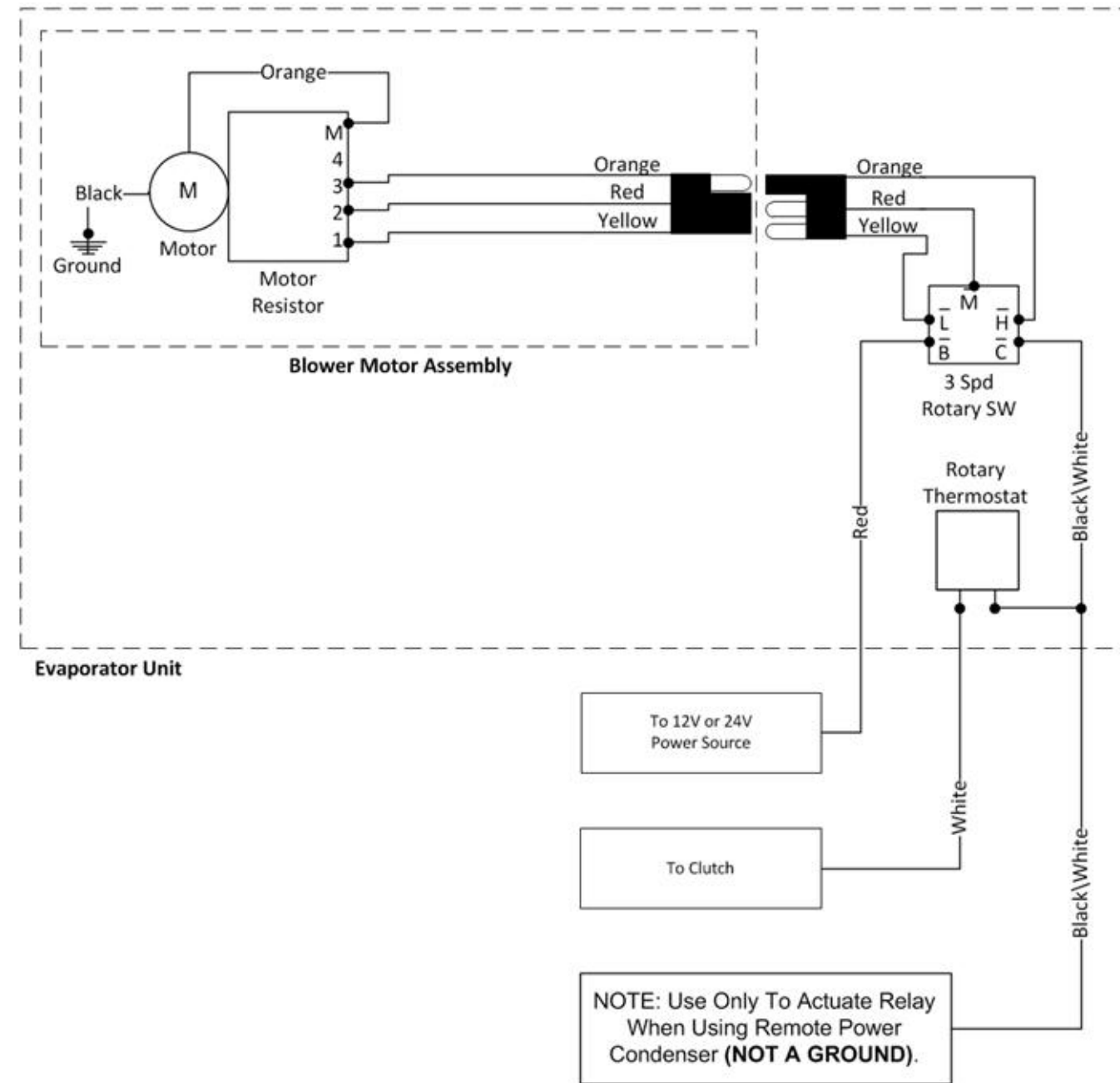


Parts Breakdown				
ITEM	QTY	DTAC NO.	DESCRIPTION	NOTE
1	1	02-16061	3-1/2" Louver	
2	2	02-16073	3.5" Angled Louver	
3	2	03-00165	Knob	
4	1	03-13006	Rotary 3-Speed Switch	
5	1	03-14002	Rotary Thermostat	
6	1	04-15004	Block Expansion Valve	
7	1	07-00300	Evaporator Coil	
8	2	09-04012	#8 O-Ring	
9	15 ft	10-20012	Drain Hose	1
10	4	12-00003	1/4-20 X 3/8 Bolt	
11	1	12-00021	1/4-20 x 1.25 Hex Bolt	
12	6	12-00023	5/16-18 - 1.5	
13	1	12-00026	Wiring Harness	1
14	6	12-00044	1/4 Flat Washer	
15	8	12-00054	Whz Nut 5/16-18	
16	5	12-00056	#8X3/4 Tap Screw	
17	3	12-00057	1/4-20 Whiz Nut	
18	4	12-00059	Standard Switch Nut	
19	1	12-00116	One Inch Grommet	
20	2	12-00123	Copper Kazzoo	1
21	1	12-01874	1/2 Plastic Tee	1
22	1	12-01875	1/2 Plastic Elbow	1
23	1	12-50419	Faceplate	
24	1	30-50253	Intake Filter, 18.875 x 4.25	
25	1	30-51279	Housing	
26	1	30-51281	Lid	
27	1	30-51286	Coil Hold Brkt	
28	1	30-51580 or 30-51581	12V Blower Assembly or 24V Blower Assembly	
29	1	50-50500	Expansion Valve Mnt Brkt	
-	-	Note 1	Part not shown	

UNIT SPECIFICATIONS						
BTU'S COOL	BTU'S HEAT	AIR FLOW	WEIGHT	MOTOR	CURRENT DRAW	DTAC NO.
20,200	-	295 CFM	24 LBS	1-12V	13 AMPS @ 13.5 VDC	300-12V
"	-	"	"	1-24V	8 AMPS @ 27 VDC	300-24V

<b>DTAC</b>		DTAC- HEAVY EQUIPMENT HEAT/COOL SYSTEMS	
MODELED		TITLE 300-V PARTS BREAKDOWN AND UNIT SPECIFICATIONS	
JSHAW		DWG NAME 300-V Drawings.idw	
DRAWN	8/4/2011	SIZE B	NOTE: ALL UNITS IN INCHES
jhamaker			SHEET 3 OF 4

# 300 Series Wire Diagram



Manufacturer of Heavy Equipment Heat/Cool Systems  
 5130 Edgefield Ln, TX 76065 USA  
 Phone 1-800-527-9477 Fax 1-800-299-5972  
 www.dtac.com

12-00026  
 05.13.10

SIZE  
 B