



EVAPORATORS

500-C Series

Cool Only, Wall Mount or Between the Seat

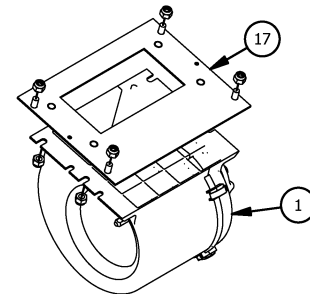
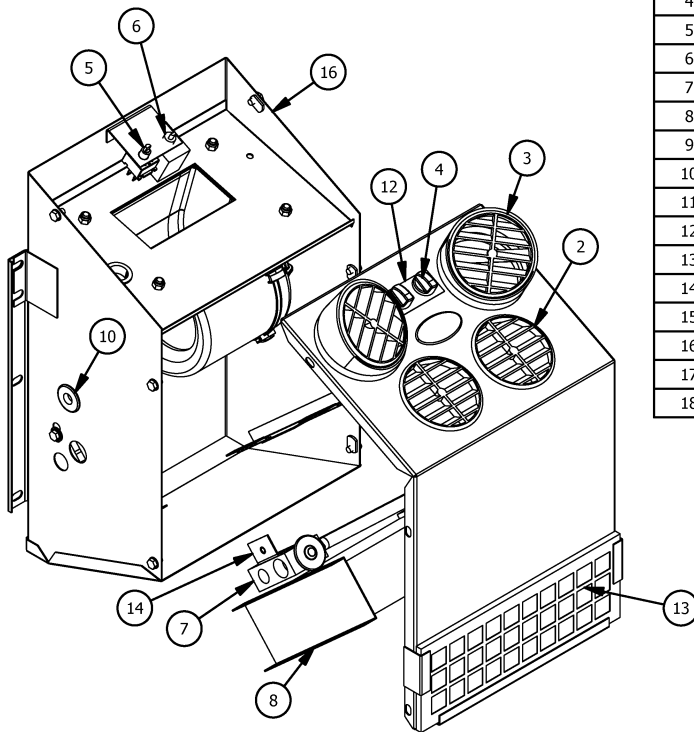
EVAPORATORS



FEATURES

- New Version Includes Upgrade Blower Assembly
- Available 12 or 24 Volt
- Three Speed Blower Motor
- Adjustable Thermostat
- Filtered Intake Air
- Easy Servicing by Removing Front Panel
- Mounting Flange Welded to Case
- Steel Case with Black Powder Coat Finish

500-C Parts List Rev.1				
ITEM	QTY	DTAC NO.	DESCRIPTION	NOTE
1	1	02-04205	12V Blower Assembly	
		02-04204	24V Blower Assembly	
2	2	02-16061	3-1/2" Louver	
3	2	02-16073	3.5" Angled Louver	
4	2	03-00165	Knob	
5	1	03-13006	Rotary 3-Speed Switch	
6	1	03-14002	Rotary Thermostat	
7	1	04-15004	Block Expansion Valve	
8	1	07-00500	Evaporator Coil	
9	1	12-00026	Wire Harness	1
10	1	12-00116	One Inch Grommet	
11	1	12-02140	1" Plastic Grommet	
12	1	12-50739	Faceplate	
13	1	50-00005	Filter 500	
14	1	50-50500	Expansion Valve Mnt Brkt	
15	1	50-50701	Top Housing	
16	1	50-50702A	Bottom Housing	
17	1	50-50703	Motor Mount Plate	
18	1	Note 1	Item Not Shown	



Blower Assembly Detail

BTU'S COOL	AIR FLOW	HEIGHT	WIDTH	DEPTH	WEIGHT	MOTOR	CURRENT DRAW	DTAC NO.
20,500	345 CFM	19.5"	11.81"	8.25"	26 LBS	1-12V	15.5 AMPS @ 13.5 VDC	500-12C
"	"	"	"	"	"	1-24V	8 AMPS @ 26.8 VDC	500-24C