

FIGURE 7
LOOKING INSIDE CONDENSER UNIT

SCHEMATICS

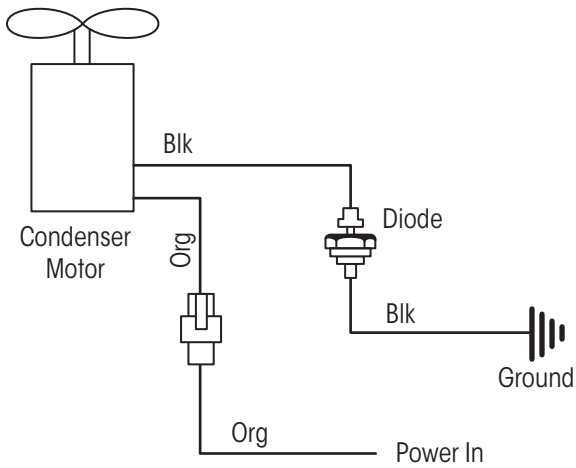


FIGURE 8
ELECTRICAL SCHEMATIC

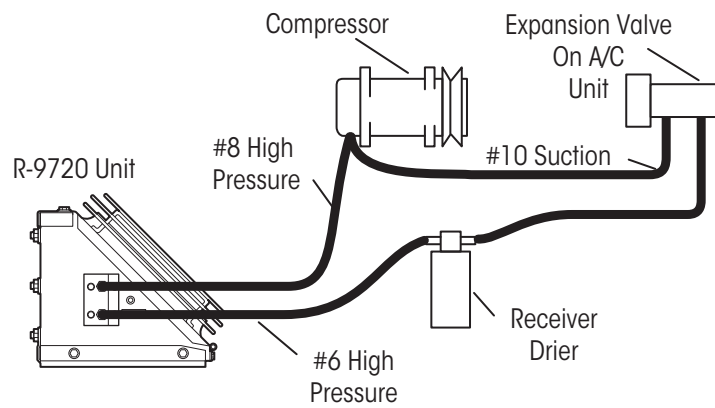


FIGURE 9
PLUMBING SCHEMATIC