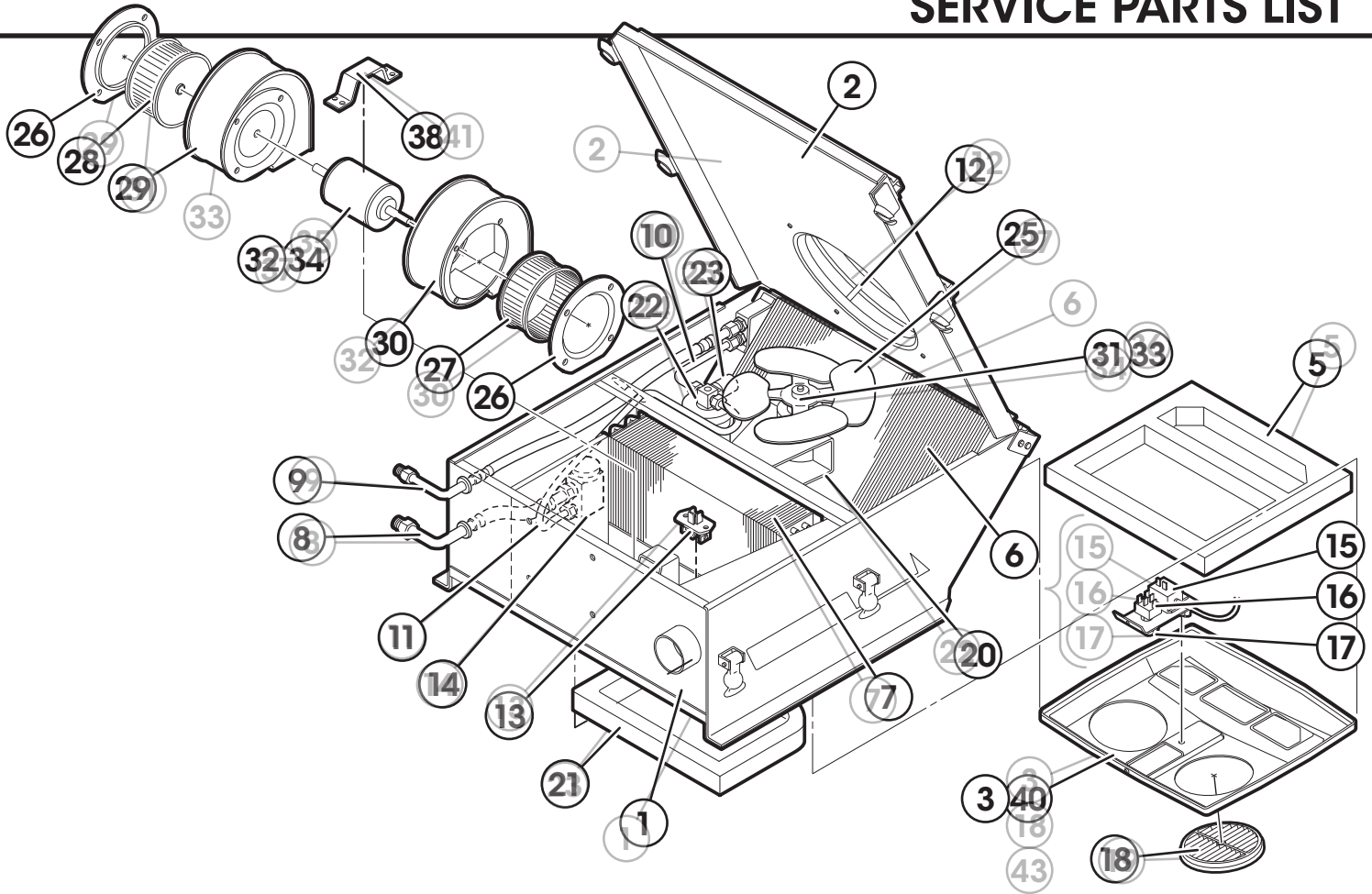


Rooftop Air Conditioner Model R-9727-2

SERVICE PARTS LIST



ITEM	NOTE	PART NO.	DESCRIPTION	CAT. NO.
1		RD-2-1067-1P	Housing Assembly	
2		RD-2-0921-1P	Cover Assembly	
3		RD-2-5974-0P	Plenum Assembly	
4	A	RD-2-1060-0P	Drain Pan Assembly	
5		RD-2-1297-0P	Gasket (Plenum)	
6		RD-4-3586-0P	Condenser Assembly	77R0350
7		RD-2-1121-2P	Evaporator Assembly	76R7100
8		RD-2-1072-0P	#10 Crimp- on Hose Assembly	
9		RD-2-1071-0P	#8 Crimp-on Hose Assembly	
10		RD-2-3150-0P	#6 Refrigerant Tube	
11		RD-2-1184-0P	Tube Assembly #6 "O" Ring	
12		RD-5-3894-1P	Fan Guard	
13		RD-5-3647-0P	Resistor	71R1450
14		RD-5-6868-0P	Expansion Valve	71R8301
15		RD-4125-36P	Thermostat	71R2250
16		RD-5-3646-0P	3- Speed Switch	71R1150
17		RD-5-8812-0P	Knob (2)	71R4015
18		RD-5-9053-0P	Louver	72R3140
19	A	RD-5-3550-120P	Drain Hose	78R0070
20		RD-2-1377-0P	Motor Mount. Assembly Cond	

ITEM	NOTE	PART NO.	DESCRIPTION	CAT. NO.
21		RD-2-0961-0P	Roof Seal Assembly	
22		RD-5-7061-6P	Reciever Drier	74R2577
23		RD-5-4640-0P	Switch-Pressure, Binary	72R7050
24	A	RD-2-1378-0P	Cable Retain., Cover (2)	
25		RD-4-3508-0P	Fan Blade 10"	73R8100
26		RD-3-2592-0P	Entry Ring (2)	
27		RD-3106-38P	Blower Wheel	73R6101
28		RD-3106-39P	Blower Wheel	73R6151
29		RD-2-0781-6P	Blower Assembly	
30		RD-2-0781-7P	Blower Assembly	
31	B	RD-5-14190-0P	Motor, 12 VDC (Condenser)	73R0512
32	B	RD-5-3757-12P	Motor, 12 VDC (Blower)	73R4202
33	C	RD-5-14190-24P	Motor , 24 VDC (Condenser)	73R0514
34	C	RD-5-3757-24P	Motor, 24 VDC (Blower)	73R4204
35	A	RD-5-4195-0P	Anchor, Rubber (4)	
36	A	RD-3-3031-0P	Writing Kit	
37	A	RD-2-0919-0P	Screen- Condenser	
38	A	RD-3-3174-0P	Retainer, Motor	
39	A	RD-2-1380-0P	Panel Access- Expansion Valve	
40		RD-5-5937-0P	Filter- Recirc.	78R5300

NOTES: A= Not shown B= for 12 volt applications C= for 24 volt applications (12v) D= Optional for filters see ordering information

RED DOT CORPORATION

P.O.Box 58270 Seattle, WA 98138 (206) 575-3840 AMCustomerService@RedDotCorp.com

RD-2-1326-0 (REV D)

FOR REFERENCE ONLY. SUBJECT TO CHANGE WITHOUT NOTICE