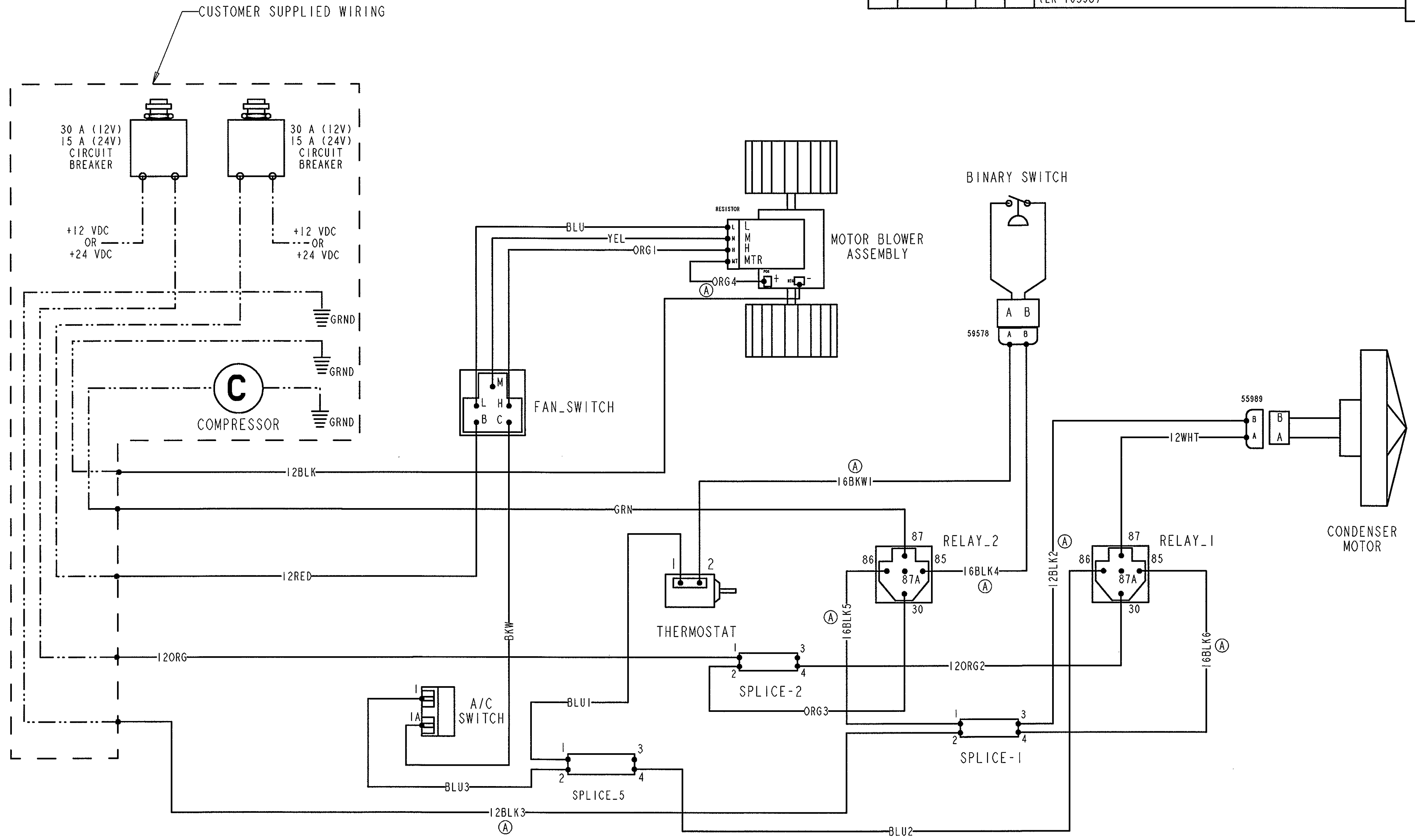


LTR	DATE	BY	CHK'D	PROD APPR	REVISION
--	11-15-99	TCT	CCC	MT	INITIAL RELEASE (ER 10398)
A	1-7-00	TCT	SKO	MT	DELETED RELAY_3, SPLICE_3, SPLICE_4, 12BLK3, 12RED2, ORG2, 12BLK4 & 12RED3; RE-ROUTED 12BLK, 12RED & ORG1; ORG4 16BKW1, 16BLK4, 12BLK2, 16BLK5, 16BLK6, ORG3 & 12BLK3 WERE ORG, BKW1, BLK8, 12BRN2, 12BRN1, 12BRN3, 12ORG1 & 12BRN (ER 10398)



2) SEE RD-3-9608-0 WIRE HARNESS ASSEMBLY FOR INDIVIDUAL WIRE DESCRIPTIONS AND SPECIFICATIONS

1) ALL WIRING 14 GA. UNLESS OTHERWISE SPECIFIED

NOTE:

ITEM	PART NO.	DESCRIPTION	MAT'L	FINISH
DWN	T. THOMPSON 5-27-99	WIRING SCHEMATIC R-9777		
CKD	C. COPPOCK 10-21-99			
SCALE: DRAWING SCALE				
RED DOT CORPORATION 495 Andover Park East Seattle, WA 98188			NEXT ASSY CUSTOMER	DWG. NUMBER RD-3-9609
			SIZE C	SHEET 1 of 1

THIS PRINT IS PROPRIETARY INFORMATION LOANED SUBJECT TO RETURN UPON DEMAND AND IS NOT TO BE USED DIRECTLY OR INDIRECTLY IN ANY WAY DETRIMENTAL TO RED DOT CORPORATION